

**RefScrew**  
COMPRESSORS

Building Your Trust In Compressor

## RFS/HK & RFS/HN Series Screw Compressor



SCREW COMPRESSOR

致力于成为世界级品牌压缩机制造商

To Be Reliable World-Class Well-Known Compressor Manufacturer



致力于成为世界级品牌压缩机制造商

To Be Reliable World-Class Well-Known Compressor Manufacturer

Content	Page	内容	页数
The Special Highlights	1	卓越的特性	1
The Technical Features	2	技术特征	2
Type Designation	3	型号说明	3
Application Limits	4	应用范围	4
Technical Data	5	技术参数	5
Performance Data		性能参数	
R22	6-9	R22	6-9
R404A/R507A	10-13	R404A/R507A	10-13
Dimensional Drawings	14-17	外形尺寸	14-17

### The Special Highlights

- Energy Efficient**  
High -precision processing parts, high -precision bearings, advanced screw lines, etc. to ensure efficient compressor.
- Machinery Structure**  
The machine design is reasonable, the structure is compact, and the use of small space is small.
- Mute Design**  
A reasonable airflow layout, the screw rotates smoothly, and the compressor is low vibration and low noise during operation.
- Wide Application Field**  
"Suitable for: industrial refrigeration, ship refrigeration, freezing refrigeration, freezing dryer, ice making machine, Drying equipment, heating system, fast frozen food, etc."
- Quality Assurance**  
All refrigeration compressor products are tested and can be used after installation.
- Refrigerant**  
Conventional refrigerant HFCs (R134A, R404A, R507) and so on. New refrigerant HFOs (R1234ze) and so on.

### 卓越的特性

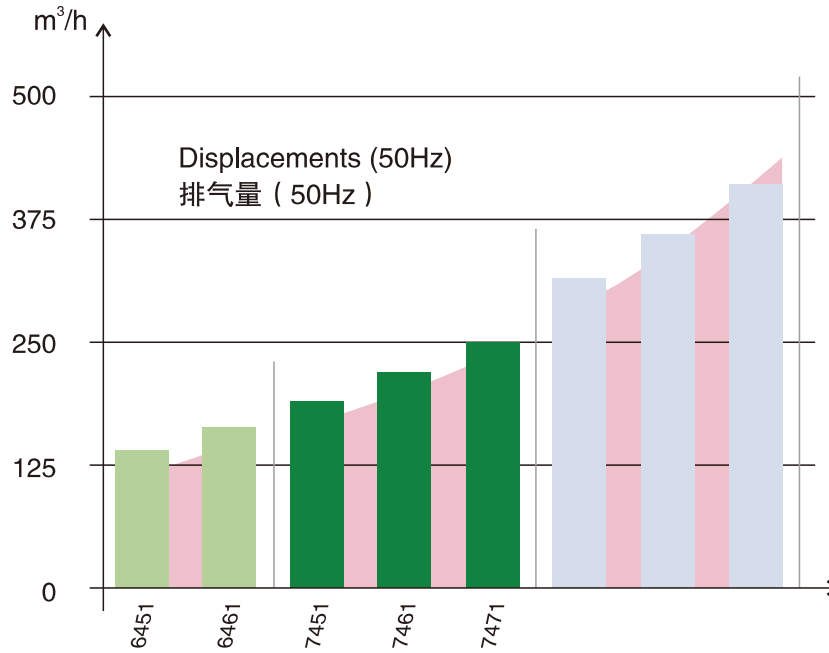
- 能效**  
高精度加工件，高精度轴承，先进的螺杆型线等确保压缩机高效能。
- 机体结构**  
机体设计合理，结构紧凑，使用占用空间小。
- 静音**  
合理的气流布局，螺杆转动平稳，压缩机运转时低振动、低噪音。
- 应用领域广泛**  
"适合应用于：工业制冷、船舶制冷、冷冻冷藏、冷冻干燥机、制冰机、烘干设备、采暖系统、食品速冻等。"
- 品质保障**  
所有制冷压缩机产品均经过测试，安装后即可使用。
- 制冷剂**  
常规制冷剂HFCs(R134a、R404A、R507)等。  
新型制冷剂HFOs(R1234ze)等。

**The Closely Graduates Capacity Range**

Compress of different sizes may be combined in a parallel compounding.

**细分的能量范围**

不同型号的压缩机可以并联在一个系统中



**Large volume motor**

- part winding or direct start
- especially high efficiency
- suction gas cooled
- integrated PTC sensors in each winding

**大容量电机**

- 可以分线圈启动或直接启动
- 非常高的效率
- 吸气冷却
- 每个线圈中内置PTC传感器
- 健固定定子

**Approved, long-life bearing with pressure unloading**

- robust axial tandem bearings
- bearing chamber pressure isolate from compression chamber by sealing element
- pressure relieved bearing chamber ensuring minimum refrigerant dilution in the oil and thus higher viscosity

**可靠的低压轴承室，长寿命轴承**

- 双轴向轴承，坚固耐用
- 密封环隔离轴承室与高压
- 低压轴承室，确保最少量的制冷剂溶解在油中，以确保更高的油的粘度



## ASERCOM认证的参数

欧洲制冷压缩机及控制生产厂商协会 (ASERCOM) 已经实施了压缩机性能参数的认证程序

此认证的高标准靠以下措施保证:

- 专家检验认证参数的可靠性
- 由独立机构随机抽检

这样的高要求导致只有有限的压缩机能够被提交检验, 通过ASERCOM认证的压缩机可以贴上“ASERCOM认证的产品”的标签, 所有获得认证的压缩机及其他信息见ASERCOM网站 (wWW.ASERCOM.org)

### Type Designation

**RFS - HK 64 6 1 - 6 0 - 4 0 P**

RefScrew Brand

**RFS - HK 64 6 1 - 6 0 - 4 0 P**

Semi-hermetic screw compressor

**RFS - HK 64 6 1 - 6 0 - 4 0 P**

Application range (K or N)

**RFS - HK 64 6 1 - 6 0 - 4 0 P**

Housing size (64/74)

**RFS - HK 64 6 1 - 6 0 - 4 0 P**

Displacement (5/6/7)

**RFS - HK 64 6 1 - 6 0 - 4 0 P**

Compressor execution

**RFS - HK 64 6 1 - 6 0 - 4 0 P**

Motor size and design

**RFS - HK 64 6 1 - 6 0 - 4 0 P**

Motorcode

### 型号说明

**RFS - HK 64 6 1 - 6 0 - 4 0 P**

RefScrew品牌

**RFS - HK 64 6 1 - 6 0 - 4 0 P**

RefScrew 半封闭螺杆压缩机

**RFS - HK 64 6 1 - 6 0 - 4 0 P**

应用范围 (K or N)

**RFS - HK 64 6 1 - 6 0 - 4 0 P**

机体尺寸 (64/74)

**RFS - HK 64 6 1 - 6 0 - 4 0 P**

排气量 (5/6/7)

**RFS - HK 64 6 1 - 6 0 - 4 0 P**

压缩机第几代代号

**RFS - HK 64 6 1 - 6 0 - 4 0 P**

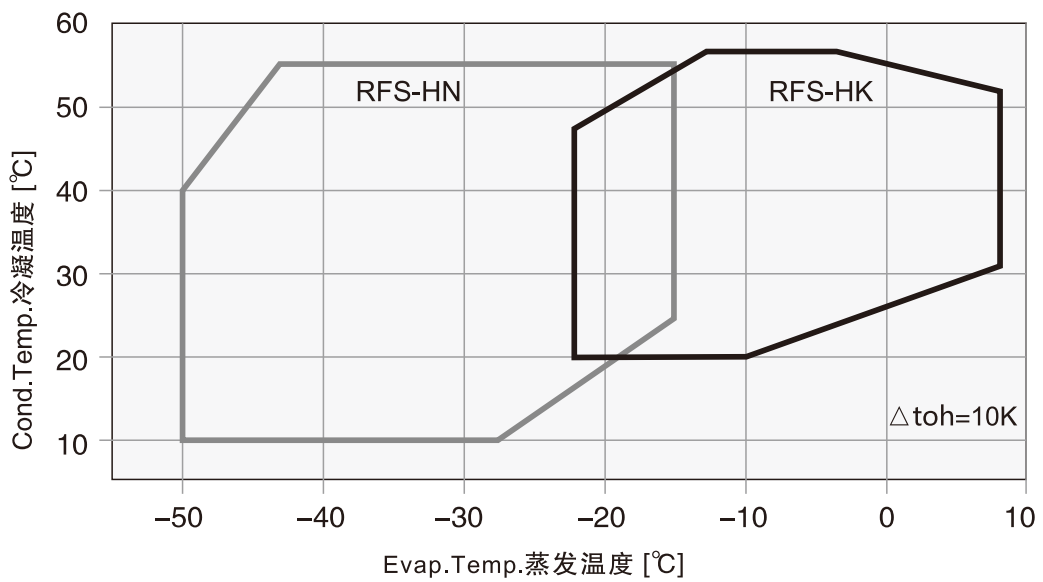
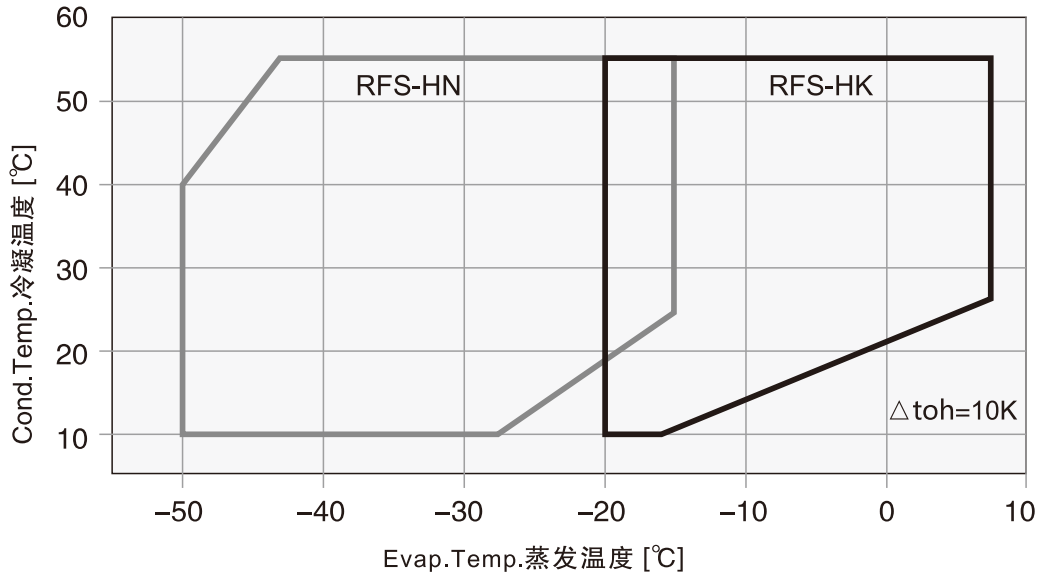
电机大小

**RFS - HK 64 6 1 - 6 0 - 4 0 P**

电机代码

Application limits

应用范围



### Technical Data 技术参数

#### HK/HN Series 50Hz/60Hz

Compressor Model 型号	Nominal Power 名义功率 (HP/KW)	Electrical Parameter 电气参数						Power Supply 电源 (V/Hz/ψ)
		Capacity Step Nominal 能量调节 (%)	Displacement 排气量 50Hz (m <sup>3</sup> /h)	Displacement 排气量 60Hz (m <sup>3</sup> /h)	Max Operating Current 最大工作电流 A	Max Power Consumption 最大功率消耗 kW	Starting Current Plugging Turn 启动电流堵转 (A)	
RFS-HN5343-20	20/15.0	100/90/55	84	101	48	29	129/201	380~420V △/△△ /3/50Hz
RFS-HK5343-30	30/22.0	100/90/70	84	101	52	33	126/218	
RFS-HN5353-25	25/19.0	100/80/50	100	121	52	33	126/218	
RFS-HK5353-35	35/26.0	100/85/60	100	121	58	37	153/266	
RFS-HN5363-30	30/22.0	100/75/45	118	142	58	37	153/266	
RFS-HK5363-40	40/30.0	100/80/55	118	142	66	42	182/311	
RFS-HN6451-40	40/30.0	100/75/50	140	168	65	40	187/313	
RFS-HK6451-50	50/37.0	100/85/60	140	168	79	50	206/355	
RFS-HN6461-50	50/37.0	100/75/45	165	198	79	50	206/355	
RFS-HK6461-60	60/45.0	100/80/55	165	198	98	65	267/499	
RFS-HN7451-60	60/45.0	100/80/65	192	232	98	65	267/499	440~480V △/△△ /3/60Hz
RFS-HK7451-70	70/53.0	100/75/45	192	232	124	75	290/485	
RFS-HN7461-70	70/53.0	100/75/60	220	266	124	75	290/485	
RFS-HK7461-80	80/60.0	100/70/40	220	266	144	85	350/585	
RFS-HN7471-75	80/60.0	100/75/55	250	302	144	85	350/585	
RFS-HK7471-90	90/68.0	100/60/40	250	302	162	92	423/686	
RFS-HN8571-125	125/94.0	100/50 or 100/75/50	410	495	216	130	612/943	
RFS-HK8571-140	140/105.0	100/75/50	410	495	246	150	665/1023	
RFS-HN8591-160	160/120.0	100/50 or 100/75/50	535	646	260	170	729/1114	
RFS-HK8591-180	180/135.0	100/75/50	535	646	330	181	757/1181	

**Performance Data 50Hz**  
Suction gas superheat: 20°C  
Without Liquid subcooling

**50Hz时的性能参数**  
吸气过热为20°C  
无液体过冷度

Medium-Low Temperature Range			中低温系列							
Compressor Model 压缩机型号	Condensing Temperature 冷凝温度 °C	↓	Cooling Capacity 制冷量 Qo(watt)				Power Consumption 功率消耗 Pe(kW)			
			Evaporating Temperature °C							
			蒸发温度 °C							
			-15	-20	-25	-30	-35	-40	-45	
RFS-HN5343-20	30	Q	53200	44450	36750	29950	24000	18830	14370	
		P	17.90	16.90	16.06	15.33	14.67	14.05	13.42	
	40	Q	50700	42300	34800	28200	22450	17450	13140	
		P	21.70	20.80	20.00	19.23	18.46	17.71	16.98	
	50	Q	47450	39350	32150	25800	20250	15370		
		P	26.60	25.80	24.80	23.80	22.80	21.70		
RFS-HN5353-25	30	Q	62000	52100	43250	35500	28650	22700	17610	
		P	20.60	19.70	18.87	18.11	17.39	16.70	16.00	
	40	Q	59500	49850	41200	33600	27000	21200	16190	
		P	24.90	24.00	23.10	22.20	21.30	20.50	19.53	
	50	Q	56300	46800	38450	31000	24500	18840		
		P	30.30	29.30	28.30	27.10	25.90	24.60		
RFS-HN5363-30	30	Q	72300	60800	50600	41550	33600	26700	20700	
		P	24.30	23.00	21.90	20.90	20.00	19.10	18.17	
	40	Q	69300	58100	48200	39400	31700	24950	19090	
		P	29.00	27.80	26.70	25.60	24.50	23.50	22.40	
	50	Q	65200	54500	44900	36400	28900	22350		
		P	35.10	33.90	32.60	31.30	30.00	28.60		
RFS-HN6451-40	30	Q	83500	70100	58300	47800	38600	30600	23700	
		P	27.60	26.30	25.20	24.20	23.30	22.40	21.50	
	40	Q	80000	67000	55500	45300	36350	28550	21800	
		P	33.00	31.90	30.80	29.70	28.60	27.50	26.30	
	50	Q	75500	62900	51700	41750	33000	25400		
		P	40.10	38.90	37.60	36.20	34.80	33.20		
RFS-HN6461-50	30	Q	98900	83200	69200	56900	46000	3660	28400	
		P	33.20	31.40	29.90	28.60	27.40	26.20	24.90	
	40	Q	94400	79200	65700	53800	43300	34100	26100	
		P	39.30	37.70	36.30	34.90	33.50	32.10	30.80	
	50	Q	88400	73900	61000	49500	39400	30500		
		P	47.40	45.80	44.20	42.60	41.00	39.30		

NOTE: When the frequency is 60Hz, the increase of refrigerating capacity is 20%



**Performance Data 50Hz**  
Suction gas superheat: 20°C  
Without Liquid subcooling

**50Hz时的性能参数**  
吸气过热为20°C  
无液体过冷度

Medium-Low Temperature Range			中低温系列								
Compressor Model 压缩机型号	Condensing Temperature 冷凝温度 °C	↓	Cooling Capacity 制冷量 Qo(watt)			Power Consumption 功率消耗 Pe(kW)					
			Evaporating Temperature °C						蒸发温度 °C		
			-15	-20	-25	-30	-35	-40	-45		
RFS-HN7451-60	30	Q	123600	103200	85200	69500	55700	43700	33400		
		P	40.00	37.60	35.70	34.10	32.7	31.40	30.20		
	40	Q	116800	97400	80200	65100	51900	40450	30500		
		P	47.90	46.00	44.30	42.70	41.2	39.70	38.30		
	50	Q	108300	90000	73700	59300	46700	35650			
		P	58.30	56.60	54.80	52.90	51	48.90			
RFS-HN7461-70	30	Q	137000	115000	95600	78400	63400	50300	39100		
		P	44.00	41.90	40.20	38.60	37.2	35.80	34.50		
	40	Q	130500	109300	90500	74000	59500	46850	35900		
		P	52.40	50.60	48.90	47.20	45.6	43.90	42.20		
	50	Q	122200	101900	83900	68000	54000	41700			
		P	63.30	61.50	59.60	57.50	55.4	53.00			
RFS-HN7471-75	30	Q	147900	124300	103400	84900	68800	64800	42600		
		P	48.30	45.70	43.50	41.60	39.8	38.10	36.40		
	40	Q	140400	117800	97700	80000	64500	51000	39200		
		P	57.00	54.70	52.60	50.60	48.7	46.80	44.90		
	50	Q	130800	109400	90400	73500	58600	45600			
		P	68.30	66.10	63.90	61.70	59.5	57.20			
RFS-HN8571-125	30	Q	248100	208800	174100	143600	117000	94000	74100		
		P	76.10	72.20	68.70	65.50	62.5	59.60	56.90		
	40	Q	236900	198800	165100	135500	109600	87000	67500		
		P	90.80	86.80	83.00	79.30	75.5	71.60	67.60		
	50	Q	221500	185000	152700	124100	98900	76800			
		P	110.00	105.80	101.40	96.80	91.8	86.30			
RFS-HN8591-160	30	Q	315500	264600	219800	180600	146400	116900	91400		
		P	98.00	93.80	90.10	86.80	83.5	80.20	76.70		
	40	Q	299300	250800	208100	170500	137700	109200	84500		
		P	118.60	114.40	110.40	106.50	102.5	98.20	93.50		
	50	Q	280100	234300	193700	157800	126200	98500			
		P	145.80	141.00	136.10	131.00	125.5	119.40			

NOTE: When the frequency is 60Hz, the increase of refrigerating capacity is 20%

**Performance Data 50Hz**  
Suction gas superheat: 20°C  
Without Liquid subcooling

**50Hz时的性能参数**  
吸气过热为20°C  
无液体过冷度

		Medium-Low Temperature Range					中低温系列					
Compressor Model 压缩机型号	Condensing Temperature 冷凝温度 °C	↓	Cooling Capacity 制冷量 Qo(watt)					Power Consumption 功率消耗 Pe(kW)				
			Evaporating Temperature °C					蒸发温度 °C				
			12.5	10	7.5	5	0	-5	-10	-15	-20	
RFS-HK5343-30	30	Q	116000	107000	98800	90600	76200	63700	52700	43300	35150	
		P	14.86	14.93	14.98	15.02	15.09	15.13	15.16	15.18	15.20	
	40	Q	105700	97300	89800	82200	68800	57200	47050	38300	30750	
		P	19.01	18.99	18.97	18.95	18.93	18.92	18.92	18.93	18.96	
	50	Q	93800	86100	79100	72100	59800	49100	39750	31700	24800	
		P	23.10	23.20	23.25	23.30	23.40	23.40	23.50	23.60	23.60	
RFS-HK5353-35	30	Q	137600	126900	117200	107500	90400	75500	62400	51100	41350	
		P	19.49	19.22	18.99	18.75	18.36	18.02	17.74	17.49	17.26	
	40	Q	124500	114600	105600	96600	80900	67100	55200	44800	35950	
		P	24.00	23.40	23.00	22.60	22.00	21.70	21.60	21.50	21.50	
	50	Q	110600	101500	93200	85000	70600	58000	47200	37850	29850	
		P	27.30	27.10	26.95	26.80	26.60	26.50	26.50	26.50	26.50	
RFS-HK5363-40	30	Q	162100	149800	138600	127400	107600	90200	75000	61700	50100	
		P	25.40	25.20	24.85	24.50	23.80	23.00	22.20	21.40	20.80	
	40	Q	147900	136400	126000	115500	97100	80900	66700	54300	43500	
		P	30.30	29.80	29.30	28.80	27.80	27.00	26.30	25.70	25.30	
	50	Q	132200	121700	112100	102500	85500	70700	57700	46350	36550	
		P	34.90	34.50	34.10	33.70	33.00	32.30	31.70	31.30	30.90	
RFS-HK6451-50	30	Q	192700	177800	164200	150600	126700	105700	87500	71600	57900	
		P	27.30	26.90	26.60	26.30	25.70	25.30	24.80	24.50	24.20	
	40	Q	174400	160500	148000	135400	113300	94000	77300	62800	50300	
		P	33.60	32.80	32.20	31.60	30.80	30.40	30.20	30.10	30.10	
	50	Q	154900	142200	130600	119100	98900	81300	66100	53000	41800	
		P	38.20	37.90	37.70	37.50	37.20	37.10	37.10	37.10	37.10	
RFS-HK6461-60	30	Q	227300	210000	194300	178800	150900	126500	105200	86500	70200	
		P	35.60	35.30	34.85	34.40	33.30	32.20	31.10	30.00	29.20	
	40	Q	207400	191300	176700	162000	136200	113500	93600	76200	61000	
		P	42.50	41.80	41.05	40.30	39.00	37.90	36.90	36.10	35.40	
	50	Q	185400	170600	157100	143700	119900	99100	80900	65000	51200	
		P	49.00	48.40	47.85	47.30	46.20	45.30	44.50	43.80	43.40	

NOTE: When the frequency is 60Hz, the increase of refrigerating capacity is 20%

**Performance Data 50Hz**  
Suction gas superheat: 20°C  
Without Liquid subcooling

**50Hz时的性能参数**  
吸气过热为20°C  
无液体过冷度

		Medium-Low Temperature Range					中低温系列					
Compressor Model 压缩机型号	Condensing Temperature 冷凝温度 °C	↓	Cooling Capacity 制冷量 Qo(watt)					Power Consumption 功率消耗 Pe(kW)				
			Evaporating Temperature °C					蒸发温度 °C				
			12.5	10	7.5	5	0	-5	-10	-15	-20	
RFS-HK7451-70	30	Q	284600	262600	242500	222500	187200	156400	129600	106400	86500	
		P	36.1	36.10	36.00	36.00	35.90	35.70	35.60	35.50	35.30	
	40	Q	259500	239100	220500	201900	169200	140600	115800	94300	75800	
		P	45.2	45.10	45.05	45.00	45.00	45.00	45.00	45.00	45.00	
	50	Q	230500	211700	194500	177300	147200	121000	98100	78400	61400	
		P	56.2	56.00	55.90	55.70	55.60	55.40	55.25	55.10	55.00	
RFS-HK7461-80	30	Q	320400	295600	27300	250400	210700	175900	145600	119300	96500	
		P	43.9	43.30	42.80	42.30	41.40	40.60	40.00	39.40	38.90	
	40	Q	290100	267100	246300	225400	188700	156700	128800	104800	84100	
		P	54	52.80	51.85	50.90	49.60	48.90	48.60	48.50	48.40	
	50	Q	25800	236900	217700	198500	165000	135800	110500	88700	70100	
		P	61.5	61.00	60.65	60.30	59.90	59.80	59.70	59.70	59.70	
RFS-HK7471-90	30	Q	344300	318200	294400	270600	228600	191700	159400	131200	106500	
		P	52.3	51.70	51.05	50.40	48.90	47.20	45.60	44.10	42.80	
	40	Q	314300	290000	267800	245600	206500	172100	142000	115700	92800	
		P	62.3	61.30	60.25	59.20	57.30	55.60	54.10	52.90	52.00	
	50	Q	281300	258900	238500	218100	182100	150600	123000	99000	78100	
		P	71.9	71.00	70.15	69.30	67.80	66.40	65.20	64.30	63.60	
RFS-HK8571-140	30	Q		526100	485000	446300	376100	314600	261000	214400	174100	
		P		81.30	80.30	79.10	76.50	73.80	71.10	68.60	66.60	
	40	Q	520000	479500	441400	405600	340600	283700	234100	191100	154000	
		P	98	96.20	94.50	92.80	89.50	86.60	84.30	82.50	81.60	
	50	Q	465100	428000	393100	360400	301000	248800	203400	163800	129600	
		P	112.7	111.40	110.20	108.90	106.40	104.20	102.30	100.90	100.20	
RFS-HK8591-180	30	Q		703000	650600	598000	505200	423600	352200	290000	235300	
		P		108.60	107.20	105.80	102.70	99.10	95.80	92.60	90.00	
	40	Q	694600	640900	591800	542700	456300	380000	313800	256000	205000	
		P	130.8	128.80	126.50	124.30	120.30	116.80	113.60	111.00	109.20	
	50	Q	621600	572100	527000	482000	402400	333000	271800	218800	172600	
		P	150	149.00	147.00	145.00	142.00	139.00	136.00	135.00	133.00	

NOTE: When the frequency is 60Hz, the increase of refrigerating capacity is 20%

**Performance Data 50Hz**  
Suction gas superheat: 20°C  
Without Liquid subcooling

**50Hz时的性能参数**  
吸气过热为20°C  
无液体过冷度

		Medium-Low Temperature Range				中低温系列								
Compressor Model 压缩机型号	Condensing Temperature 冷凝温度 °C	↓	Cooling Capacity 制冷量 Qo(watt)				Power Consumption 功率消耗 Pe(kW)							
			Evaporating Temperature °C								蒸发温度 °C			
			-15	-20	-25	-30	-35	-40	-45					
RFS-HN5343-20Y	30	Q	58700	49450	41250	34000	27650	22050	17220					
		P	22.10	21.50	20.90	20.20	19.46	18.63	17.70					
	40	Q	55600	46700	38750	31750	25550	20100	15330					
		P	27.90	27.10	26.30	25.30	24.2	23.00	21.50					
	50	Q			35200	28400	22350	17020	12330					
		P			32.00	30.70	29.2	28.10	26					
RFS-HN5353-25Y	30	Q	68500	57700	48200	39800	32350	25850	20200					
		P	25.30	24.50	23.80	22.90	22	21.10	20.00					
	40	Q	64800	54500	45350	37200	30050	23750	18260					
		P	31.70	30.80	29.80	28.70	27.5	26.10	24.50					
	50	Q			43400	34850	27350	20500	15110					
		P			39.70	37.20	34.7	32.10	29.9					
RFS-HN5363-30Y	30	Q	78200	66000	55200	45600	37150	29800	23400					
		P	28.60	27.60	26.70	25.70	24.6	23.50	22.30					
	40	Q	73900	62400	52100	42950	34900	27850	21700					
		P	36.00	34.90	33.70	32.40	31	29.50	28.00					
	50	Q			47700	39150	31550	24800	18930					
		P			41.20	39.60	37.9	37.20	35.1					
RFS-HN6451-40Y	30	Q	94400	79600	66300	54700	44400	35350	27500					
		P	32.20	31.10	30.00	28.80	27.7	26.40	25.10					
	40	Q	89100	75000	62500	51500	41750	33250	25850					
		P	39.90	38.70	37.50	36.10	34.7	33.20	31.50					
	50	Q			56900	46700	37700	29800	22900					
		P			45.30	44.00	42.5	42.00	39.9					
RFS-HN6461-50Y	30	Q	108700	91600	76500	63200	51600	41400	32600					
		P	39.60	38.10	36.50	34.90	33.2	31.50	29.60					
	40	Q	101200	85400	71500	59100	48250	38750	30500					
		P	48.70	46.80	44.90	42.90	40.9	38.80	36.80					
	50	Q			64300	53100	43200	34400	26700					
		P			53.50	52.20	51	48.70	46.6					

NOTE: When the frequency is 60Hz, the increase of refrigerating capacity is 20%

**Performance Data 50Hz**  
Suction gas superheat: 20°C  
Without Liquid subcooling

**50Hz时的性能参数**  
吸气过热为20°C  
无液体过冷度

Medium-Low Temperature Range			中低温系列							
Compressor Model 压缩机型号	Condensing Temperature 冷凝温度 °C	↓	Cooling Capacity 制冷量 Qo(watt)			Power Consumption 功率消耗 Pe(kW)				
			Evaporating Temperature °C						蒸发温度 °C	
			-15	-20	-25	-30	-35	-40	-45	
RFS-HN7451-60Y	30	Q	136000	113800	94400	77300	62500	49550	38300	
		P	47.00	44.70	43.00	41.70	40.5	39.20	37.50	
	40	Q	124600	104400	86700	71100	57500	45600	35300	
		P	56.90	55.10	53.60	52.20	50.9	49.40	47.50	
	50	Q			76600	62900	50800	40150	30850	
		P			64.50	63.80	63.7	61.90	60.2	
RFS-HN7461-70Y	30	Q	151800	127500	106600	87400	71000	56700	44250	
		P	50.70	48.70	46.90	45.10	43.3	41.50	39.60	
	40	Q	140800	118200	98500	81100	65900	52700	41200	
		P	61.70	59.80	57.80	55.80	53.7	51.60	49.30	
	50	Q		105800	88000	72400	58700	46650	36150	
		P		74.30	72.10	69.90	67.5	64.90	62	
RFS-HN7471-75Y	30	Q	160100	134500	112100	92500	75500	60700	47850	
		P	57.00	54.60	52.30	50.00	47.6	45.10	42.60	
	40	Q	147100	123800	103300	85500	69800	56200	44400	
		P	69.30	66.50	63.70	60.90	58.1	55.30	52.60	
	50	Q	130300	109800	91700	75800	61800	49450	38600	
		P	85.20	82.00	78.70	75.30	72.1	69.10	66.5	
RFS-HN8571-125Y	30	Q	267400	225200	188300	156100	128100	103800	82900	
		P	92.80	87.30	82.10	77.50	73.4	70.00	67.40	
	40	Q	244600	205700	171600	141700	115700	93000	73300	
		P	108.00	102.20	97.10	82.60	88.5	84.90	81.60	
	50	Q	216000	181000	150200	123100	99300	78400	60000	
		P	128.50	122.50	117.20	112.20	107.3	102.30	96.9	
RFS-HN8591-160Y	30	Q	334100	280300	233400	192700	157300	126700	100200	
		P	110.70	105.70	101.40	97.70	94	90.40	86.40	
	40	Q	302500	254000	211500	174400	142000	113800	89200	
		P	134.20	129.60	125.40	121.10	116.6	111.60	106.10	
	50	Q	265800	223000	185400	152100	122700	96600	73400	
		P	169.90	165.00	159.60	153.50	146.6	138.90	130.2	

NOTE: When the frequency is 60Hz, the increase of refrigerating capacity is 20%

**Performance Data 50Hz**  
Suction gas superheat: 20°C  
Without Liquid subcooling

**50Hz时的性能参数**  
吸气过热为20°C  
无液体过冷度

		Medium-Low Temperature Range				中低温系列				
Compressor Model 压缩机型号	Condensing Temperature 冷凝温度 °C	↓	Cooling Capacity 制冷量 Qo(watt)				Power Consumption 功率消耗 Pe(kW)			
			Evaporating Temperature °C							
			7.5	5	0	-5	-10	-15	-20	
RFS-HK5343-30Y	30	Q	103900	95000	79100	65400	53700	43600	35050	
		P	19.92	19.58	18.94	18.35	17.81	17.32	16.88	
	40	Q	89400	81600	67700	55700	45400	36650	29200	
		P	23.50	23.20	22.50	22.00	21.50	21.00	20.60	
	50	Q	74000	67400	55400	45150	36400	29000	22750	
		P	28.40	28.10	27.50	27.00	26.40	25.90	25.30	
RFS-HK5353-35Y	30	Q	124100	113600	94700	78400	64400	52400	42150	
		P	23.50	23.10	22.40	21.70	21.10	20.50	20.00	
	40	Q	106900	97600	81100	66800	54600	44200	35400	
		P	27.80	27.50	26.80	26.20	25.60	25.10	24.60	
	50	Q	88900	81000	66800	54700	44300	35450	28000	
		P	33.80	33.50	32.90	32.30	31.70	31.30	30.80	
RFS-HK5363-40Y	30	Q	146700	134400	112200	93000	76400	62300	50200	
		P	27.00	26.60	25.80	25.00	24.30	23.60	23.00	
	40	Q	127300	116400	96700	79700	65100	52700	42050	
		P	32.20	31.80	31.00	30.30	29.60	28.90	28.30	
	50	Q	106100	96600	79700	65100	52700	42050	33050	
		P	39.10	38.70	38.00	37.20	36.50	35.80	35.20	
RFS-HK6451-50Y	30	Q	181800	166300	138600	114700	94100	76500	61500	
		P	29.40	29.00	28.40	28.00	27.70	27.40	27.00	
	40	Q	155800	142300	118200	97400	79500	64300	51500	
		P	35.60	35.40	35.00	34.60	34.20	33.80	33.30	
	50	Q	128200	116800	96300	78700	63700	51000	40300	
		P	43.30	43.20	42.90	42.40	41.90	41.40	40.90	
RFS-HK6461-60Y	30	Q	216000	197800	165100	136800	112500	91600	73800	
		P	38.90	38.30	37.20	36.10	35.10	34.20	33.40	
	40	Q	186800	170800	141900	117000	95700	77300	61800	
		P	46.30	45.70	44.70	43.60	42.70	41.70	40.70	
	50	Q	154300	140600	115900	94700	76500	61000	47900	
		P	55.80	55.30	54.30	53.20	52.20	51.20	50.10	

NOTE: When the frequency is 60Hz, the increase of refrigerating capacity is 20%

**Performance Data 50Hz**

Suction gas superheat: 20°C

Without Liquid subcooling

**50Hz时的性能参数**

吸气过热为20°C

无液体过冷度

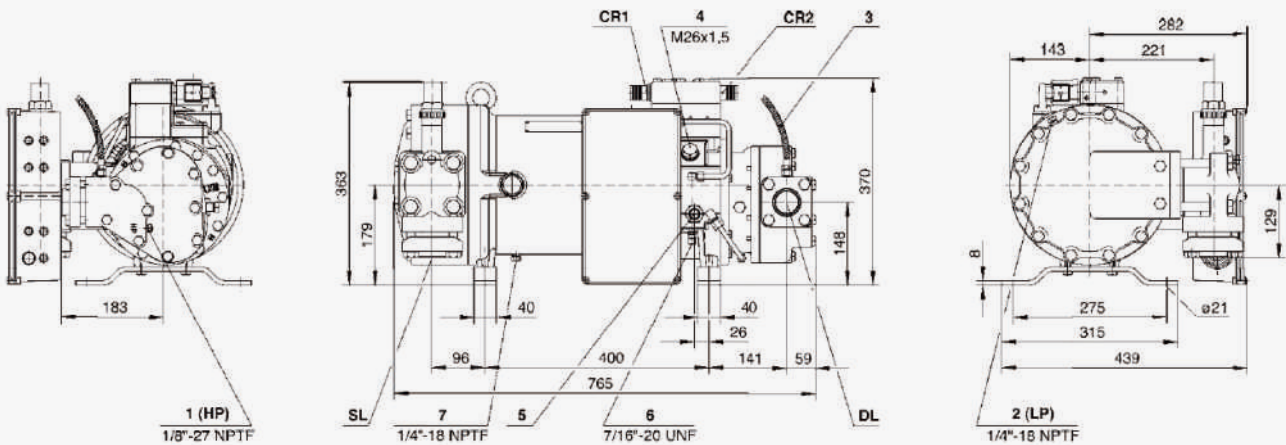
		Medium-Low Temperature Range				中低温系列								
Compressor Model 压缩机型号	Condensing Temperature 冷凝温度 °C	↓	Cooling Capacity 制冷量 Qo(watt)				Power Consumption 功率消耗 Pe(kW)							
			Evaporating Temperature °C								蒸发温度 °C			
			7.5	5	0	-5	-10	-15	-20					
RFS-HK7451-70Y	30	Q	266100	243400	202800	167600	137500	111600	89700					
		P	40.90	40.80	40.50	40.00	39.50	39.00	38.70					
	40	Q	228200	208300	172700	142100	115900	93500	74600					
		P	51.40	51.40	51.20	50.90	50.50	50.00	49.70					
	50	Q	186800	169900	139800	114000	91900	73200	57500					
		P	65.90	65.10	65.20	65.10	64.80	64.20	63.70					
RFS-HK7461-80Y	30	Q	302000	276400	230500	190700	156600	127300	102400					
		P	48.00	47.40	46.50	45.90	45.40	44.90	44.30					
	40	Q	259100	236700	196600	162000	132400	107200	85800					
		P	58.70	58.30	57.70	57.10	56.60	55.90	55.20					
	50	Q	213500	194500	160400	131200	106300	85100	67300					
		P	72.30	72.20	71.80	71.20	70.60	69.80	69.00					
RFS-HK7471-90Y	30	Q	326900	299400	250000	207300	107400	138900	111900					
		P	57.10	56.30	54.60	53.00	51.40	50.00	48.80					
	40	Q	283000	258700	215100	177400	145000	117300	93700					
		P	68.00	67.20	65.50	63.90	62.40	61.00	59.80					
	50	Q	234000	213200	175900	143700	116200	92700	72900					
		P	81.80	81.00	79.40	77.90	76.40	75.00	73.60					
RFS-HK8571-140Y	30	Q	527100	483000	403800	335400	276500	226100	183200					
		P	89.40	88.10	85.60	83.10	80.80	78.80	77.20					
	40	Q	457700	418500	348200	287600	235600	191300	153700					
		P	106.60	105.30	102.80	100.40	98.20	96.40	94.90					
	50	Q	381900	348000	287500	235500	191100	153400	121600					
		P	129.10	127.90	125.60	123.50	121.60	120.00	118.80					
RFS-HK8591-180Y	30	Q	653800	598800	500000	414600	214800	277800	223800					
		P	114.20	112.60	109.20	106.00	102.80	100.00	97.60					
	40	Q	566000	517400	430200	354800	290000	234600	187400					
		P	136.00	134.40	131.00	127.80	124.80	122.00	119.60					
	50	Q	468000	426400	351800	287600	232400	185400	145800					
		P	163.60	162.00	158.80	155.80	152.80	150.00	147.20					

NOTE: When the frequency is 60Hz, the increase of refrigerating capacity is 20%

Dimensional Drawings

外形尺寸图

RFS-HN5343 ~ RFS-HN5363  
RFS-HK5343 ~ RFS-HK5363



Connection Positions

- 1.High pressure connection ( HP )
- 2.Low pressure connection ( LP )
- 3.Discharge gas temperature sensor ( HP )
- 4.Economiser/liquid injection
- 5.Oilinjection
- 6.Oil drain plug ( compressor housing )
- 7.Oil drain plug ( motor housing )

接口位置

- 1.高压接口 ( HP )
- 2.低压接口 ( LP )
- 3.排气温度探头接口 ( HP )
- 4.经济器/补气接口
- 5.补油口
- 6.放油堵
- 7.放油堵

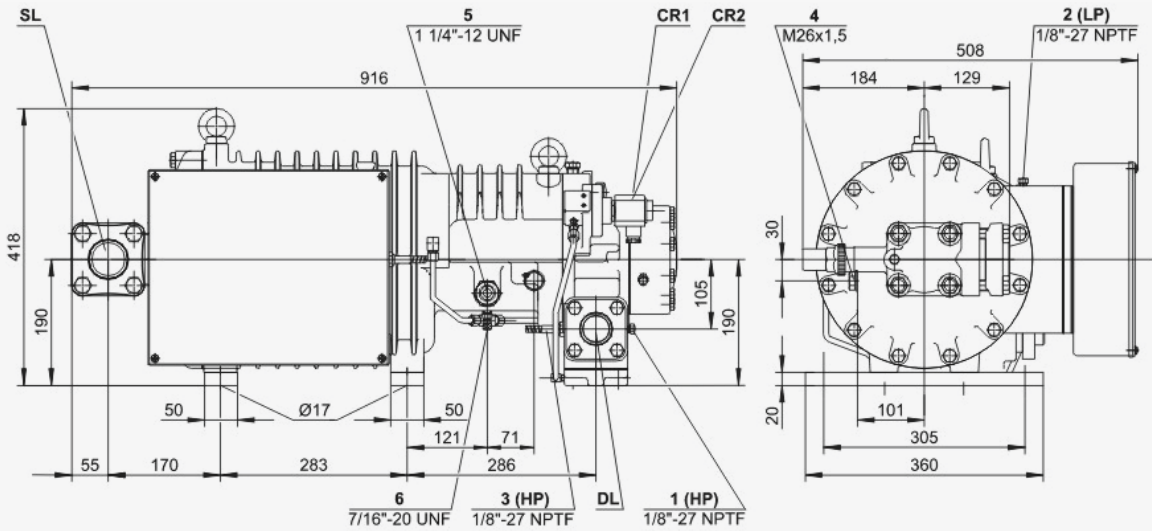
Model 型号	Net weight 净重 KG	Over 接管				外形尺寸 Overall Dimension				
		Discharge 排气管		Suction 吸气管		Length 长 A mm	Width 宽 B mm	Height 高 C mm	Foot mounting size 底脚安装尺寸	
		mm	inch	mm	inch				D mm	E mm
RFS-HN5343-20	166	42	1-5/8	54	2-1/8	765	439	370	400	275
RFS-HK5343-20	170									
RFS-HN5353-25	169	42	1-5/8	54	2-1/8	765	439	370	400	275
RFS-HK5353-35	178									
RFS-HN5363-30	174	42	1-5/8	54	2-1/8	765	439	370	400	275
RFS-HK5363-40	183									



Dimensional Drawings

外形尺寸图

RFS-HN6451 ~ RFS-HN6461  
RFS-HK6451 ~ RFS-HK6461



Connection Positions

- 1.High pressure connection ( HP )
- 2.Low pressure connection ( LP )
- 3.Discharge gas temperature sensor ( HP )
- 4.Economiser/liquid injection
- 5.Oil injection
- 6.Oil drain plug ( compressor housing )
- 7.Oil drain plug ( motor housing )

接口位置

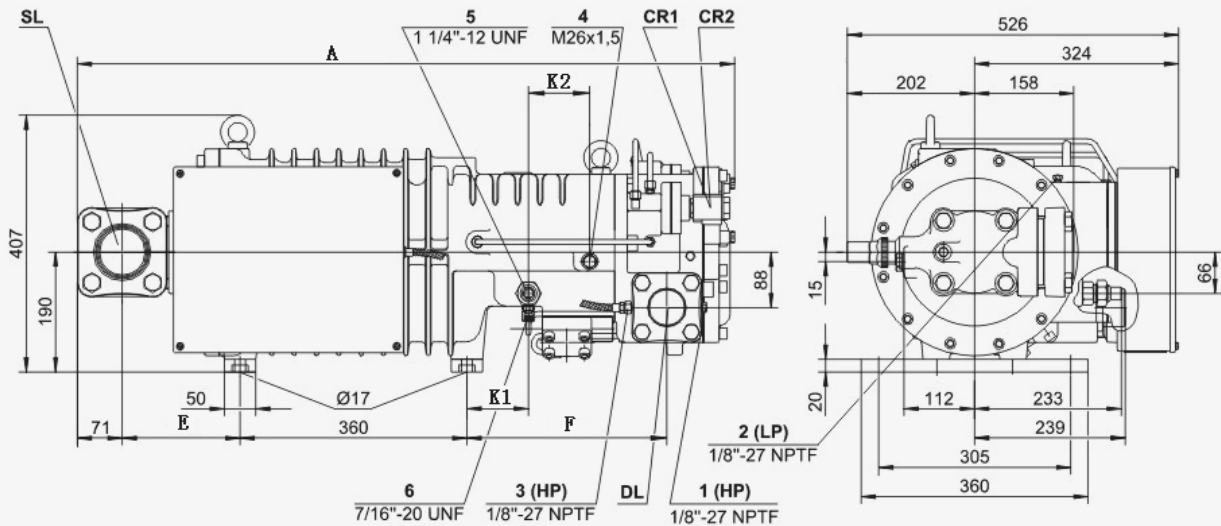
- 1.高压接口 ( HP )
- 2.低压接口 ( LP )
- 3.排气温度探头接口 ( HP )
- 4.经济器/补气接口
- 5.补油口
- 6.放油堵
- 7.放油堵

Model 型号	Net weight 净重 KG	Over 接管				外形尺寸 Overall Dimension				
		Discharge 排气管		Suction 吸气管		Length 长	Width 宽	Height 高	Foot mounting size 底脚安装尺寸	
		mm	inch	mm	inch	A mm	B mm	C mm	D mm	E mm
RFS-HN6451-40	234	42	1-5/8	54	2-1/8	916	508	418	283	305
RFS-HK6451-50	238									
RFS-HN6461-50	238	42	1-5/8	54	2-1/8	916	508	418	283	305
RFS-HK6461-60	246									

**Dimensional Drawings**

**外形尺寸图**

RFS-HN7451 ~ RFS-HN7471  
RFS-HK7451 ~ RFS-HK7471



	A	E	F	K1	K2
RFS-HN7451-60&RFS-HK7461-80	1021	188	295	76	109
RFS-HN7461-70&RFS-HN7471-75	1043	188	317	98	97
RFS-HK7471-90	1093	238	317	98	97

**Connection Positions**

- 1.High pressure connection ( HP )
- 2.Low pressure connection ( LP )
- 3.Discharge gas temperature sensor ( HP )
- 4.Economiser/liquid injection
- 5.Oilinjection
- 6.Oil drain plug ( compressor housing )
- 7.Oil drain plug ( motor housing )

**接口位置**

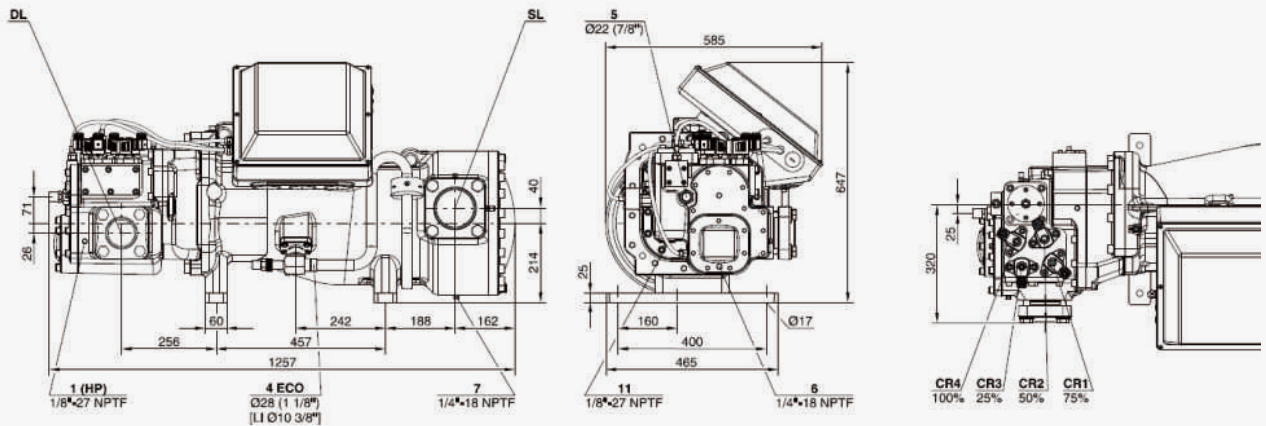
- 1.高压接口 ( HP )
- 2.低压接口 ( LP )
- 3.排气温度探头接口 ( HP )
- 4.经济器/补气接口
- 5.补油口
- 6.放油堵
- 7.放油堵

Model 型号	Net weight 净重 KG	Over 接管				外形尺寸 Overall Dimension				
		Discharge 排气管		Suction 吸气管		Length 长 A mm	Width 宽 B mm	Height 高 C mm	Foot mounting size 底脚安装尺寸	
		mm	inch	mm	inch				D mm	E mm
RFS-HN7451-60	297	54	2-1/8	76	3-1/8	1021	526	407	360	305
RFS-HK7451-70	305									
RFS-HN7461-70	310	54	2-1/8	76	3-1/8	1021	526	407	360	305
RFS-HK7461-80	314									
RFS-HN7471-75	326	54	2-1/8	76	3-1/8	1043	526	407	360	305
RFS-HK7471-90	336					1093				

Dimensional Drawings

外形尺寸图

RFS-HN8571 ~ RFS-HN8591  
RFS-HK8571 ~ RFS-HK8591



Connection Positions

- 1.High pressure connection ( HP )
- 2.Low pressure connection ( LP )
- 3.Discharge gas temperature sensor ( HP )
- 4.Economiser/liquid injection
- 5.Oil injection
- 6.Oil drain plug ( compressor housing )
- 7.Oil drain plug ( motor housing )

接口位置

- 1.高压接口 ( HP )
- 2.低压接口 ( LP )
- 3.排气温度探头接口 ( HP )
- 4.经济器/补气接口
- 5.补油口
- 6.放油堵
- 7.放油堵

Model 型号	Net weight 净重 KG	Over 接管				外形尺寸 Overall Dimension				
		Discharge 排气管		Suction 吸气管		Length 长	Width 宽	Height 高	Foot mounting size 底脚安装尺寸	
		mm	inch	mm	inch	A mm	B mm	C mm	D mm	E mm
RFS-HN8571-125	575	76	3-1/8	114	4-1/2	1257	585	647	457	400
RFS-HK8571-140	580									
RFS-HN8591-160	605	76	3-1/8	114	4-1/2	1257	585	647	457	400
RFS-HK8591-180	615									



World Wide Sales Network  
Servicing HVACR World



**RefScrew Compressor Technology Co.,Ltd**

ADD.: Suzhou City, Jiangsu Province, China. POBOX:215000

Tel.: 0086 574 87036954 Fax: 0086 574 87762810

Cell: 0086 13605887015

E-Mail: [rfs@refscrew.com.cn](mailto:rfs@refscrew.com.cn)

Web: [www.refscrew.com.cn](http://www.refscrew.com.cn)

